



inno
vive **INNOVIVE[®] EDITION**
Animal Transfer Station



The Safer Choice for Your Vivarium

NUAIRE.COM

ALLERGARD™ NU-S620 INNOVIVE® EDITION

ANIMAL TRANSFER STATION

The **AllerGard NU-S620 Innovive Edition Animal Transfer Station** offers ISO Class 4 sterility and protection for valuable research animals, minimizes personnel exposure to allergens and dander, and optimizes the work area for use with Innovive disposable IVC mouse and rat cage systems.



Mobility in the Animal Resource Facility

The NU-S620 can be lowered with the electric auto-lift **[A]** and moved from room to room through standard doors and hallways. From an overall height of 91" [2311 mm], the cabinet can be lowered to 78" [1981 mm] for transport.

Work surface heights are adjustable from 31" to 43" [787 - 838 mm] **[B]**. These ranges can be adjusted to meet specific needs of the customer.

Other features which improve mobility:

- [C]** 6" [153 mm] diameter stainless steel plate casters with brakes
- [D]** Two push/pull bars
 - 25' [10 m] retractable power cord



ANIMAL TRANSFER STATION

The Innovative Workflow



Ergonomic features that improve productivity while offering personnel exceptional comfort and convenience through many unique design features:

- Cage Deep Wells lower the height of stacked cages making them more accessible to technicians.
- Electric auto-lift to adjust work surface height [12" (305 mm) range] at the touch of a button.
- Large 14" [356 mm] access opening height on all sides of the workstation.
- Zero heat build up in the work area. Over 25 air changes per minute in the work area.
- Proper cool white lighting from the top of the workstation improves visibility creating less eye strain.
- Easy-to-clean stainless steel plenum with waste disposal chute.



Cleanability

Cleanability in the vivarium is essential to animal welfare and sterility. Model NU-S620 is constructed to maximize cleaning efforts and minimize downtime by offering:

- Prop up work tray to clean the internal basin [E]
- Multi-phase re-useable pre-filtration captures large particles for easy removal [F]
- Smooth edges, covered corners and stainless-steel construction provide cleanable surfaces
- Basin waste chute to easily remove large debris



ALLERGARD™ NU-S620 INNOVIVE® EDITION

INNOVIVE WORKFLOW

Specifically Designed For:



Innovive Disposable IVC Caging for mice and rats are lightweight and ergonomic, designed for maximum efficiency. A stack of 25 cage bottoms stands 13" [330 mm] tall (17" for rats [432 mm]) and fits neatly into the deep wells of the AllerGard NU-S620. Pre-bedded **INNOCAGE®** bottoms and pre-filled **AQUAVIVE®** bottles are also available.



INNOCAGE®



AQUAVIVE® MOUSE



INNOCAGE® RAT



AQUAVIVE® RAT

Features



A stack of Mouse Feeders (Available on model NU-S620M only) can be stored within the sterile work zone in holding trays located on both sides of the work zone. a



Open cages under ISO Class 4 sterile conditions and place clean cages in a deep well for easy access. Place the bag in the other deep well or exterior shelf to collect dirty used cages.



A magnifying glass is installed in the window sash enhances text written on animal identification cage cards.



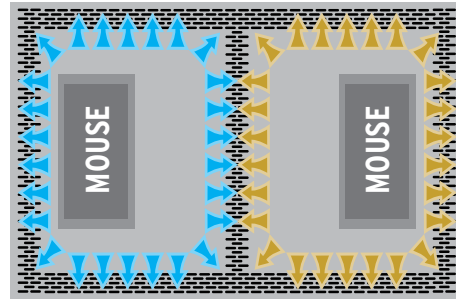
Exterior stainless steel shelf for collection of dirty mouse or rat cages.

ALLERGARD™ NU-S620 INNOVIVE® EDITION

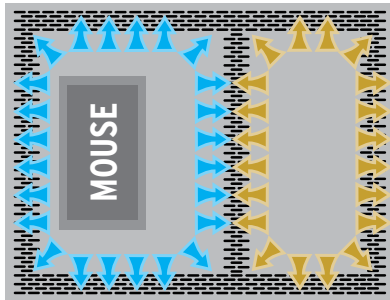
WORK SURFACE CONFIGURATION

The NuAire AllerGard NU-S620 worksurface is designed to provide separate zones for sterile and contaminated animal cages. Each zone is isolated by an air barrier formed by HEPA filtered laminar downflow. Particulate matter is prevented from escaping into the laboratory by room air inflow into the air grills around the perimeter of the worksurface.

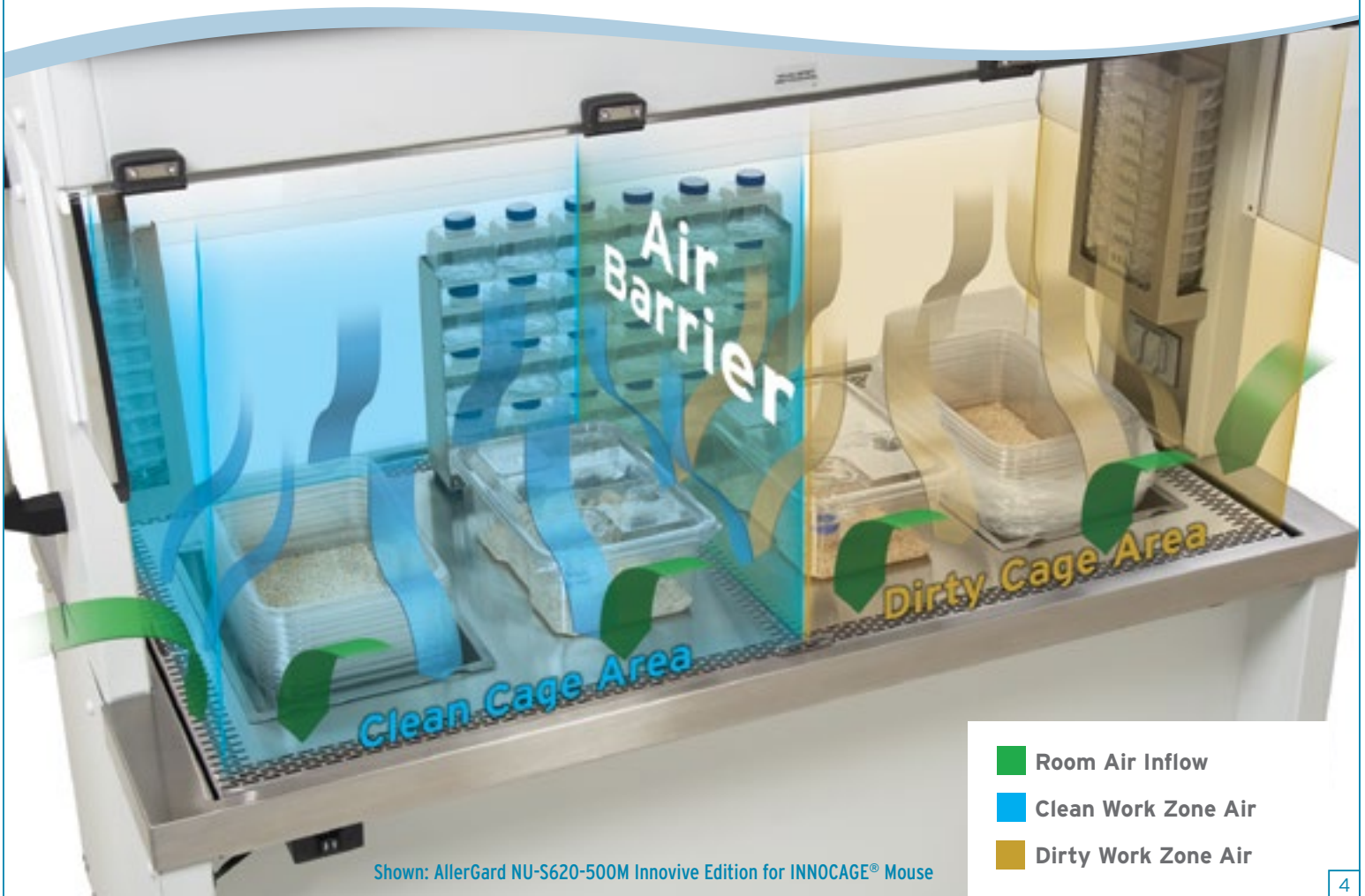
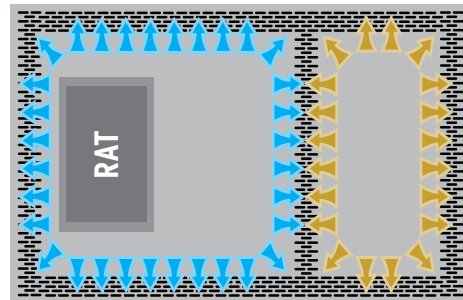
NU-S620-500M



NU-S620-400M



NU-S620-500R

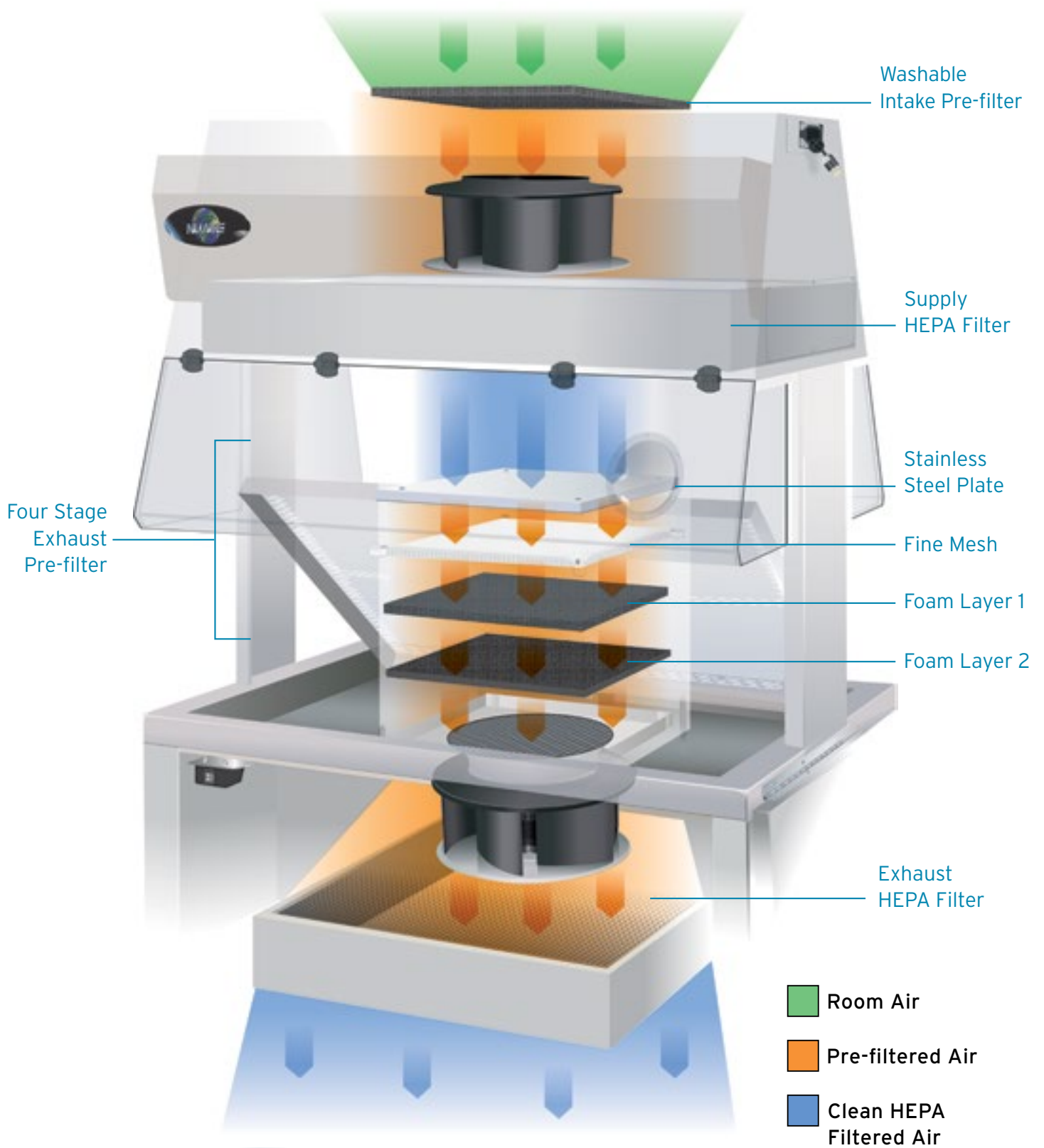


- Room Air Inflow
- Clean Work Zone Air
- Dirty Work Zone Air

Shown: AllerGard NU-S620-500M Innovive Edition for INNOCAGE® Mouse

ALLERGARD™ NU-S620 INNOVIVE® EDITION

PUSH - PULL AIRFLOW SYSTEM



ALLERGARD™ NU-S620 INNOVIVE® EDITION

FEATURES AND SPECIFICATIONS

Specifications

Model	Configuration	Nominal Width	Electrical*	Exterior Dimensions W** x D x H / In. (mm)	Internal Dimensions W x D x H / In. (mm)	Net Weight
NU-S620-400M	Mouse	4 ft. (1.2 m)	115 VAC / 60 Hz E: 230 VAC / 50-60 Hz	48 x 30 x 80 ½ (1219 x 762 x 2045)	45 ¾ x 28 ¼ x 26 (1083 x 718 x 659)	475 lbs (215 kg)
NU-S620-500M NU-S620-500R	Mouse Rat	5 ft. (1.5 m)	115 VAC / 60 Hz E: 230 VAC / 50-60 Hz	60 x 30 x 80 ½ (1524 x 762 x 2045)	54 ¾ x 28 ¼ x 26 (1387 x 718 x 659)	548 lbs (248 kg)

* Specify model with appropriate letter suffix for electrical specifications. "NU-S620-400M" for 230 VAC / 50 Hz ** Add 5" (127 mm) overall for push/pull bars

Popular Options / Accessories



Stainless Steel Feed Hopper



Cage Top Holder



AQUAVIVE® Mouse Water Bottle Holder

Work Surface / Station Height Selection Chart

(All Models)	Work Surface Height In. [mm]
Standard	32 - 44 [813 - 1118]
	Cabinet Height In. [mm]
Standard	79 1/8 - 91 1/8 [2010 - 2315]

Features

AeroMax Electronic Control System

Electronic Auto-lift

True Laminar Airflow

Push Pull Airflow Design

Reusable Pre-filter System

Easy Access Filter Panels

14" (356 mm) Window Access Opening Height
(Two Sides)

Stainless Steel Prop-up Work Surface
Animal Waste Chute

Heavy Duty Plate Castors with Brakes (4)

Accessory Outlet

LED Lighting

Hinged Scratch Resistant Windows (2)

Fixed Scratch Resistant Side Windows (2)

Stainless Steel Folding Shelf (Left or Right)

Magnifying Glass

Optional Features

Cage Top Holding Rack

Stainless Steel Feed Hopper Left,
Right, or Dual Chute

One Sided Enclosure

Shelf Option for User Standing

AQUAVIVE® Mouse Water Bottle Holder

AQUAVIVE® Rat Water Bottle Holder

Free Standing Cage Top Holder

Disposable Pre-filters

Custom Solutions (Watering Systems,
Unit Depths/Widths, Additional Outlets, Etc.)



Note: Specifications are subject to change. Please consult NuAire or your sales representative for current specifications.

ALLERGARD^{ES}

NU-S620 INNOVIVE[®] EDITION ANIMAL TRANSFER STATION



The Safer Choice for Your Vivarium



inno
vive INNOVIVE[®] EDITION
Animal Transfer Station

763-553-1270 | NUAIRE.COM